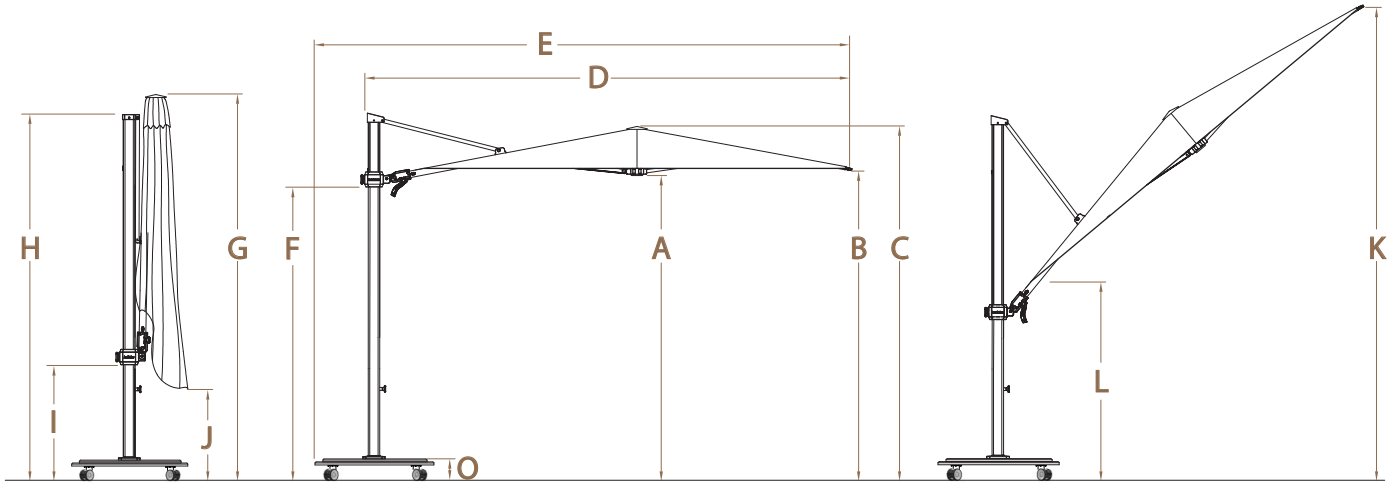
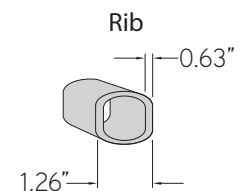
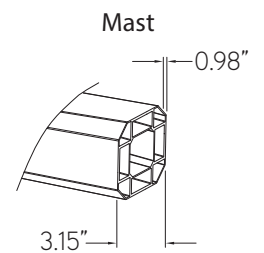
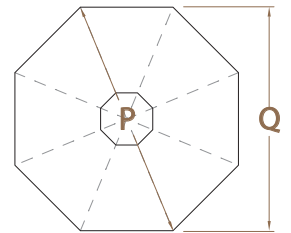
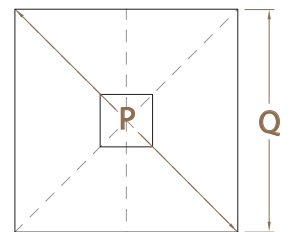


JCP.301 Specifications



Key	Description	JCP301-30S SQUARE 10 ft. 3.0m	JCP301-35 OCTAGON 11.5 ft. 3.5m
A	Lower Hub HEIGHT (Open)	7.04 ft.	6.92 ft.
B	Rib End HEIGHT (Open)	7.33 ft.	7.50 ft.
C	Canopy HEIGHT (Open)	8.08 ft.	8.02 ft.
D	Mast to Rib End WIDTH (Open)	11.00 ft.	12.60 ft.
E	Base to Rib End WIDTH (Open)	12.33 ft.	13.75 ft.
F	Slider Car HEIGHT (Max. Height)	6.63 ft.	6.63 ft.
G	Canopy HEIGHT (Closed)	8.40 ft.	8.75 ft.
H	Mast HEIGHT (Closed)	8.29 ft.	8.31 ft.
I	Slider Car HEIGHT (Closed)	2.10 ft.	2.27 ft.
J	Rib End HEIGHT (Closed)	1.56 ft.	2.85 ft.
K	Top Rib End HEIGHT (Max. Back Tilt)	13.08 ft.	13.42 ft.
L	Bottom Rib End HEIGHT (Max. Back Tilt)	3.54 ft.	4.63 ft.
M <small>(Not Shown)</small>	Top Rib End HEIGHT (Max. L/R Tilt)	10.17 ft.	10.48 ft.
N <small>(Not Shown)</small>	Bottom Rib End HEIGHT (Max. L/R Tilt)	4.33 ft.	3.92 ft.
O	Base HEIGHT	5.25 in.	5.25 in.
P	Canopy LENGTH (Diagonal)	13.83 ft.	11.50 ft.
Q	Canopy WIDTH	9.83 ft.	11.50 ft.



Note: Measurements include JCB301 Base.